



EXTREME TACTICAL DYNAMICS

SERVING THOSE WHO SERVE US™

1410 Park Lane South Suite 4 - Jupiter, FL – 33458

Phone 888.893.3308 • Fax 561.427.0974 • Email customerservice@extremetacticaldynamics.com

100 Watt WAIL Police and Emergency Vehicle Siren Wiring and Installation Guide

This guide provides the general guidelines necessary to install Extreme Tactical Dynamics' Wail siren. *Because proper installation of the Wail siren requires a thorough understanding of automotive electronics, we recommend the siren be installed by an EVT.* Emergency vehicle technicians are certified to maintain, install, or repair emergency vehicle equipment.

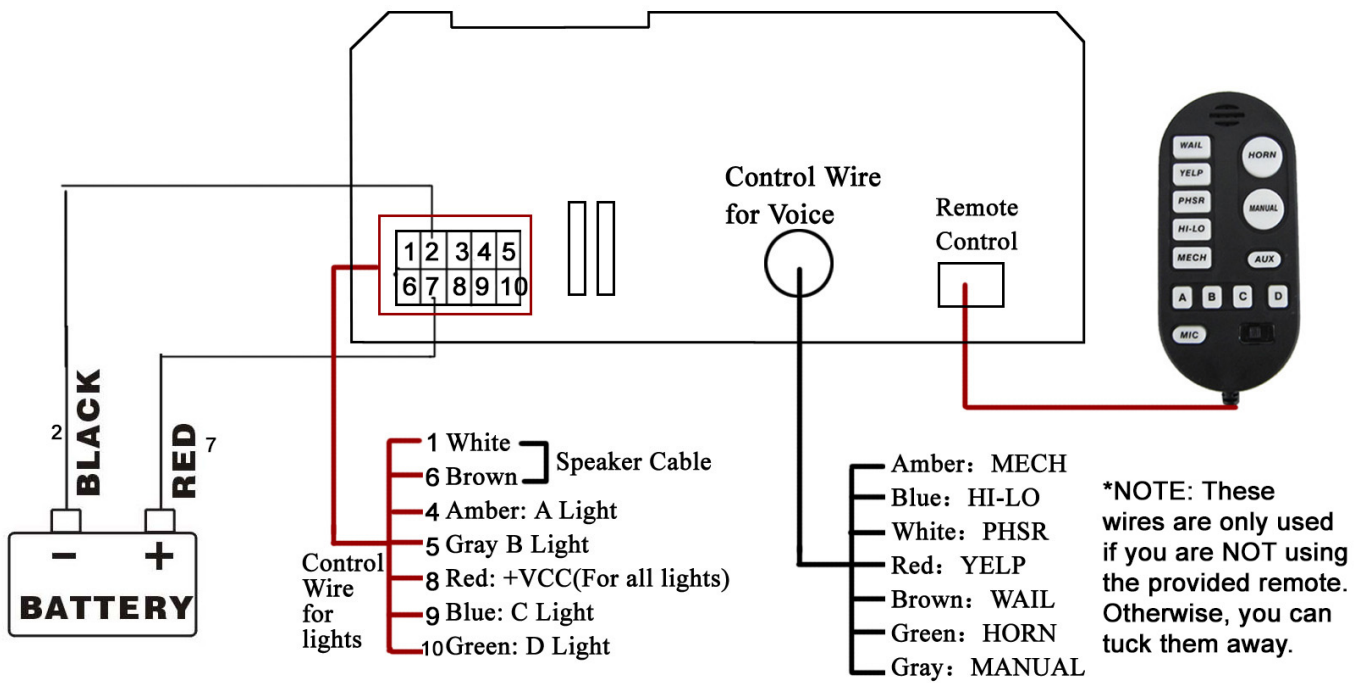
Warning

The Wail siren will create loud siren tones. Exposure to these tones without proper hearing protection could cause ear damage or hearing loss. To determine safe siren tone exposure tones and times, please consult [OSHA's Occupational Noise Exposure Section 1910.95](#). Until safe exposure times have been determined anyone working near the siren when activated should wear adequate hearing protection.

Wail Siren Remote Control Basic Wiring Instructions

- Port 1 - WHITE wire for Speaker Control
- Port 2 - BLACK negative/ground wire
- Port 3 - NOT IN USE
- Port 4 - AMBER wire for A Light
- Port 5 - GRAY wire for B Light
- Port 6 - BROWN wire for Speaker Control
- Port 7 - RED power wire
- Port 8 - RED +VCC (12 volts DC) Wire (for all lights)
- Port 9 - BLUE wire for C light
- Port 10 - GREEN wire for D Light





Connecting Accessories to Wail siren

- Connect accessories to the ground wire on the ground post
- Attach siren accessories to Output 1 or 2. It's important to fuse siren accessories correctly.

Connecting Accessories to Wail siren

- Connect accessories to the ground wire on the ground post
- Attach siren accessories to Output 1 or 2. It's important to fuse siren accessories correctly.

Siren Remote Control Installation Tips

Install the siren remote control in an area that allows the driver to reach the remote control safely under any driving conditions. If you drill holes to mount the remote, you need to ensure you will not damage any of the vehicle's components by drilling. Check for obstructions by checking all sides of the mounting surface. Next, de-burr all holes and be sure to remove any metal shard remnants before siren remote control installation continues to prevent damage to the wires during, or after, install.

Warning: Airbag Deployment and Siren Interference

The siren cannot be mounted in an area that could interfere with airbag deployment. If a siren is located in the path of airbag deployment, it could reduce the effectiveness of the airbag. It could also make the siren a

projectile in an accident. The best way to ensure your siren and its wiring is not in the path of an airbag during deployment is to check your vehicle's manual.

Please contact Extreme Tactical Dynamics with any questions about the wiring or installation of the Wail siren.

Users and installers of the Wail siren assume responsibility for proper installation, maintenance, and repair of this unit.